

TLT250ATC Heavy-duty

Features

- This machine is applicable for the lifting of various large SUVs, business travel cars and other super wide and high special vehicles .
- Single-side manual lowering device ,safe and easy operation.
- Width between two columns reaches 3350mm,overall height reaches 4810mm .
- Three-section long arm (adjustment range: 950mm~1800mm) .
- The cable and oil pipe are fully concealed; with decent and elegant appearance.
- Double hydraulic cylinder and high strength chain drive makes stable and smooth lifting and lowering.
- Wire rope equalization system forces synchronous movement of two carriages and effectively prevents vehicle form tilting.
- 24V low voltage control box (IP54 level) ensures operator's safety .
- Cylinder travel limit switch effectively protects cylinder and extends its lifespan.
- Door rubber pad protects car door from being damaged in collision.
- More lifting pads with different height meets the requirements for light lorries and SUVs.
- Symmetric and asymmetric installation types are optional.
Passed 115% dynamic loading test and 150% static loading test .
- CE certificated.



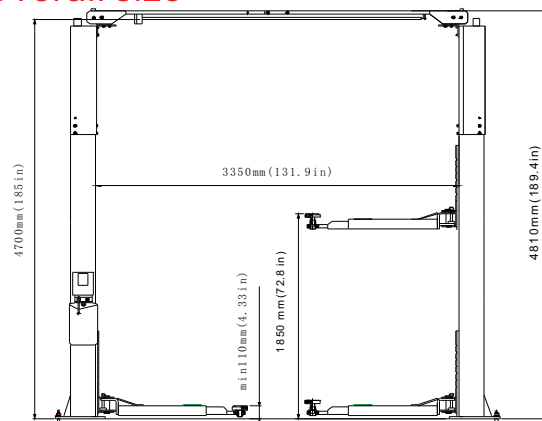
Technical parameters

Rated load:	5000kg
Lifting height:	1850mm
Initial height:	110mm
Lifting time:	≤50s
Lowering time:	≥20s≤40s
Passing width for symmetric installation :	3050mm
Overall width for symmetric installation :	4110mm
Passing width for asymmetric installation :	2888mm
Overall width for asymmetric installation :	4130mm
Overall height:	4810mm
Motor power :	3.0kw
Motor voltage:	3 phase/380v or Single phase/220V
Working noise:	≤75dB (A)
Working oil pressure:	20M Pa

Configuration instructions

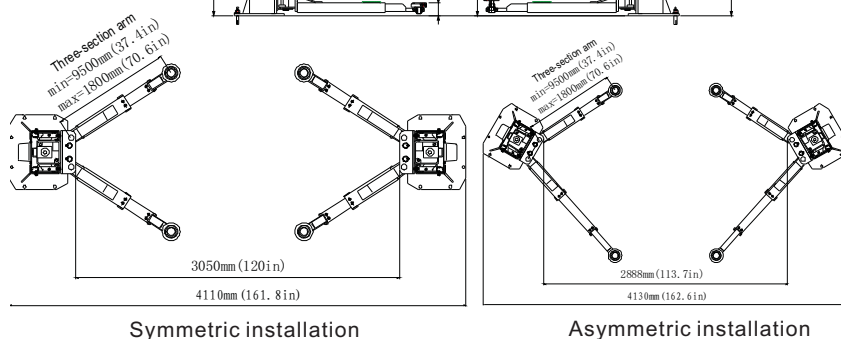
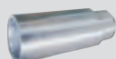
		Basic	CE Standard
Swing arm	2stage(950-1800)*4	●	●
Unlocking system	Single-side manual pull	●	●
Power unit	Domestic (Underneath) 3.0KW 12L	●	●
Control box	Electric control box		●
Lifting pad	Special double screws lifting pad	●	●
Safety device	Cylinder travel limit module , button box,anti-explosion valve,guardrail		●
Color	Launch red, Launch grey, Volkswagen blue, Hyundai blue, GM blue (Buick blue)	●	●
Warranty	1 year	●	●

Overall size



Optional parts

Extension sleeve 152mm



Symmetric installation

Asymmetric installation